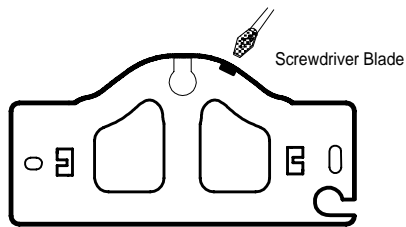


# Removing Cover

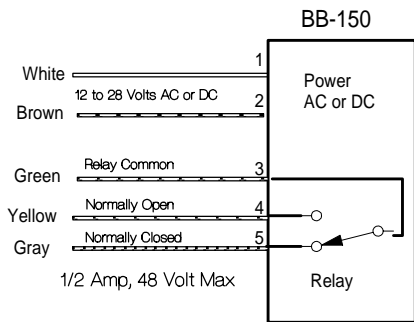


## Unmounted Unit:

Insert screw driver blade into slot.  
Twist slightly to unlatch, then pry cover off.

## Mounted Unit:

Using both hands, grasp the unit with thumbs on each side of bulge. Squeeze and push cover up and over front edge.

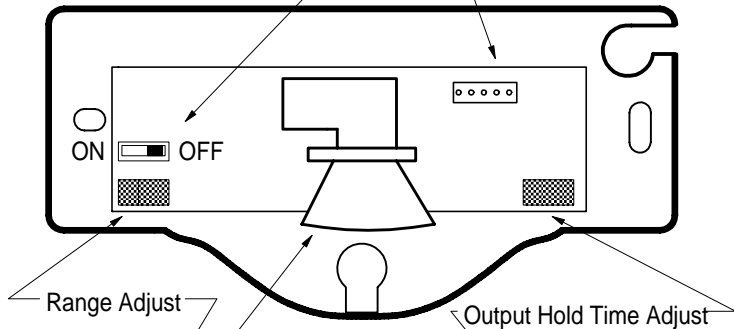


OFF: Digital Filter OFF; maximum sensitivity (Default setting).  
ON: Filters out false signals due to vibration or highly reflective surfaces. Will decrease sensitivity somewhat.

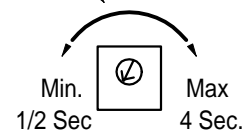
- 1 White Power 12 to 28 Volts
- 2 Brown Power AC or DC
- 3 Green Relay Common
- 4 Yellow Normally Open
- 5 Gray Normally Closed

Digital Filter ON / OFF Switch

Power Connector

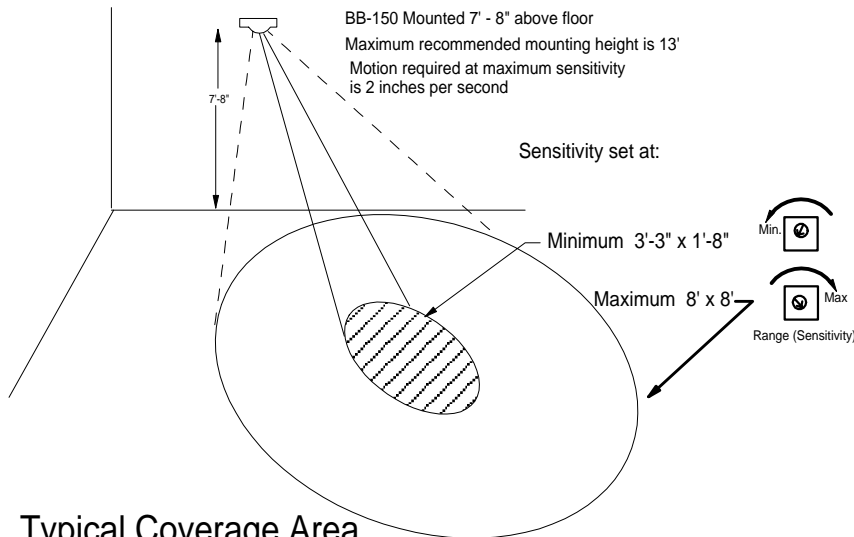


Range (Sensitivity)



Output Relay Hold Time

*Determines how long output relay will remain closed after motion ceases.*

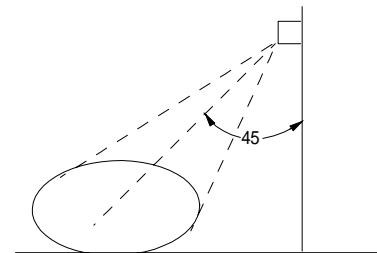


## Typical Coverage Area

*Horn Antenna at 45 Degrees*

## Avoiding Interference:

- Avoid exposure to falling rain
- Avoid moving objects in sensing field
- Avoid aiming directly at fluorescent or neon tube



Horn Antenna adjustable from 0 to 45 degrees for aiming

## Technical Data:

Power Supply	12 to 28 Volts, AC or DC
Current consumption	100 mA maximum
Temperature Range	0 to 140 deg. F
Humidity	0 to 90%, non-condensing
Output Relay	SPST, 0.5 Amp, 48 V
Frequency	K Band, 24.125 GHz +- 100 MHz
Housing Material	ABS