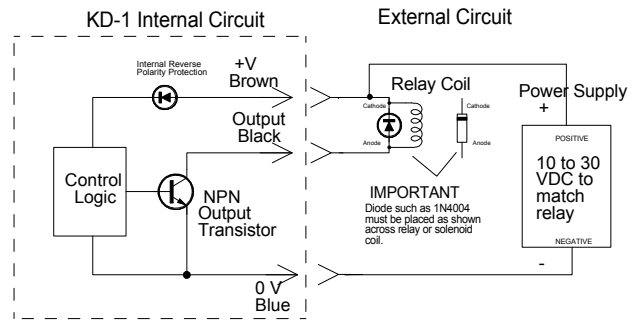
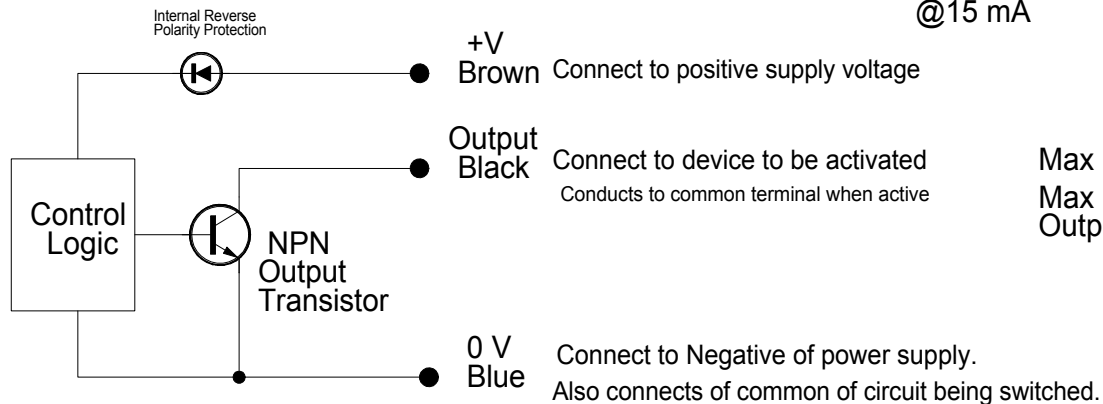
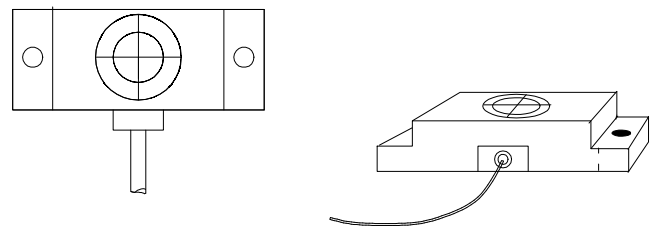


KD-1 Dimensions



Connecting KD-1 to External Device

KD-1 requires a supply voltage in the range of 12 to 30 volts DC. Current draw 15 mA (.015 Ampere)



Supply Voltage: 12 to 30 VDC @15 mA

Max Current: 100 mA
Max On State Output Voltage: 1.5 V

The KD-1 will switch ON when a finger is held within approximately 3/8 inch of the target. The KD-1 may be mounted behind non-metallic material such as Plex-glas or MDF. In general, this material should be no thicker than 1/4 inch.

Limit current through output transistor (Black lead) to 100 mA. Exceeding this limit may result in damage to the KD-1

**KD-1 CAPACITANCE SWITCH
INSTALLATION SHEET**

Museum Technology Source Inc.
Wilmington Massachusetts 01887
800-729-6873 978-657-3898
www.museumtech.com

March 2004
Revised April 4 2006